



Liquid Leak Detection System

FG-ALS Alarm Location System Unit

Product Data

The FG-ALS Alarm Location System is designed to be used with TTK random liquid sensing cables: FG-ECS and FG-ACS. The presence of a liquid on the sensing cable activates a luminous and audible alarm, displays the localization of the initial point of the leak to the nearest metre.

Modular Design.

The FG-ALS is available in wall mounted version. The FG-ALS unit can in this way control from 1 to 150 metres of sensing cables and indicates the type of defect (leak or cable break) and localization in meters from the origin of leak.

User-Friendly Information.

One tactile button with an LCD backlit display, are the only external components on the front face.

SOUND OFF button allows manual acknowledgement of the audible alarm.

In the event of a leak, an audible alarm is triggered, the red LED switches on, the dry contact is activated and the display shows the distance in metres from the origin of the leak (1 to 150 metres)

In the event of a sense cable break, an audible alarm is triggered, the yellow LED switches on, the dry contact is activated

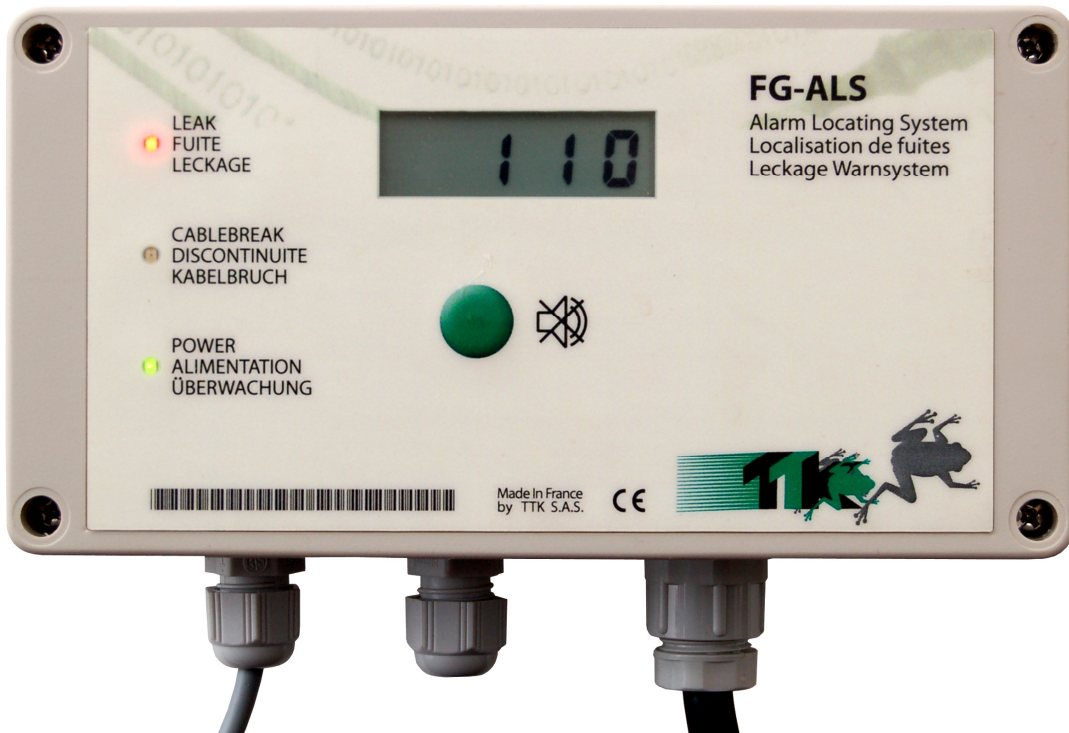
FG-ALS, both comprehensive and easy to use, ensures the conviviality, accuracy and reliability of this locating alarm unit

Compatibility And Operation.

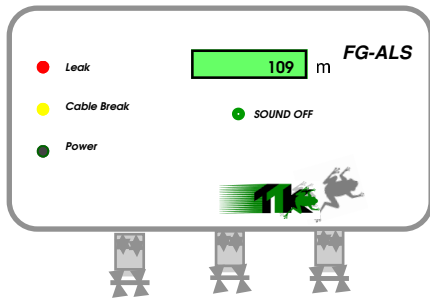
FG-ALS Alarm Location System is totally compatible with existing operating systems. There are two, entirely configurable dry contacts available, RS485 serial link with MODBUS communication protocol for interfacing with BMS. These are the communication tools which enable the users to use all detection and alarm information in the best possible manner.

The FG-ALS unit contributes a solution adapted to the various safety policies inherent to each user.

The FG-ALS unit meets the requirements of all European Standards in EN 50081 and EN 50082 EMC. FG-ALS meets the TÜV requirements, according to IEC 61010-1/A2.



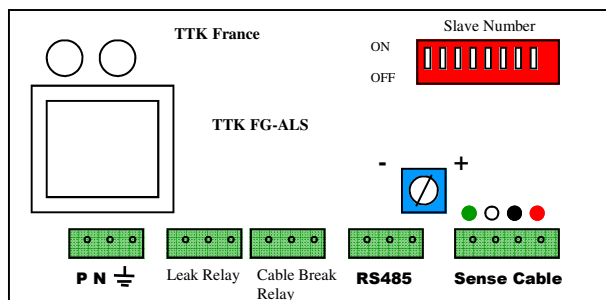
FG-ALS Alarm Location System Unit



- 1: The leak signal (red diode goes on) indicates that the system has detected a liquid leak.
- 2: The continuity signal (yellow diode goes on) indicates that the system has detected a circuit interruption.
- 3: The power supply signal (green diode on) indicates that the system is in normal operation.
- 4: The button is used to stop the audible alarm triggered in case of fault.
- 5: The displays shows the location of the origin of the leak in meters

Connector Descriptions

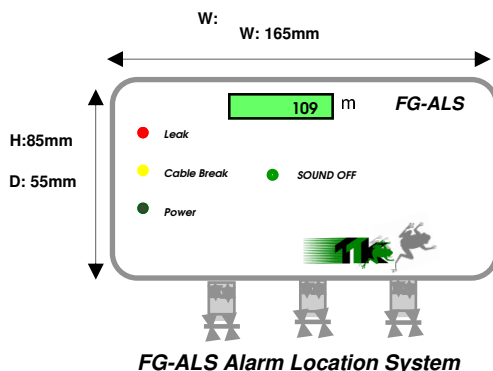
All the connections in the FG-ALS Alarm Location System Unit must be done with the power supply switched off.
Read carefully the installation procedure for the FG-ALS Alarm Location System Unit.



- * Power supply 230-240 V ca: N : neutral
P : phase
⊥ : earth
- * RS485: R1 : COM
R2 : RT+
R3 : RT-
- * Cable Break Relay: R1 : NO
R2 : COM
R3 : NC
- * Leak Relay: R1 : NO
R2 : COM
R3 : NC
- * FG-CL Leader Cable: A : Green wire
B : White wire
C : Black wire
D : Red wire
- * Potentiometer (in blue colour) P1 for adjusting sensitivity of detection

Technical Information

Wall Mounted Unit



Box Type:	ABS Flame Retardant UL94VO
Operating Temperature:	0 °C to 50 °C
Serial Interface Physical Support: Serial Link Parameters: Supported Protocol:	Optoisolated Two-Wire RS485 9600 Bauds, 8 Data Bits, 1 Stop, no Parity Modbus, Functions 3 and 4
Relays type: Leak+ Cable Break:	1 SPDT Single contact NO-NC
Dry Relay Max. Switching Voltage:	125V AC and 60V DC
Maximum Thermal Fuse:	2x0.1A on the Secondary
Maximum Consumption:	2VA
Nominal Voltage:	230 V—50/60Hz
Dimensions: (W,H,D) FG-ALS:	165x85x55 mm

Identification Codes



FG-ALS (Wall Mounted) Alarm Location System Unit FG-ALS Fixed (wall mounted)

Sense Cables & Accessories:
FG-ECS or FG-ACS
CF-100
ES-40

Water or Acids Sensing Cable in Random Length of 400 metres
Hold Down Clips with Cold Glue Adhesive (Set of 100)
Set of Tags (Set of 40)

This brochure with its photos, illustrations and charts was carefully prepared, but it is only intended for promotional use. TTK Asia Ltd. cannot guarantee that the information given contains no errors or omissions and will accept no responsibility related to the usage of its equipment. TTK's only obligations are those set forth in the Standard Terms and Conditions of Sale and will not under any circumstances be held liable for any incidental, indirect or consequential damages arising from the sale, resale or misuse of this product. The purchasers are the sole judges of the product's adaptability to the use for which it is destined. **FROG-SYS** and **TOPSurveillance** are trademarks of TTK S.A.S.

FG-ALS Products:

FG-ALS_Asia2.pub
08.2008