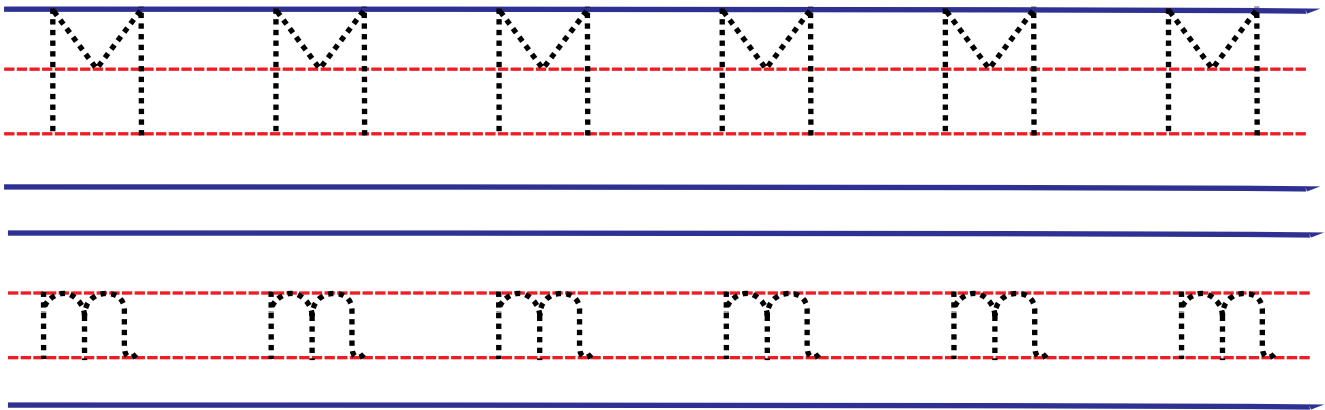
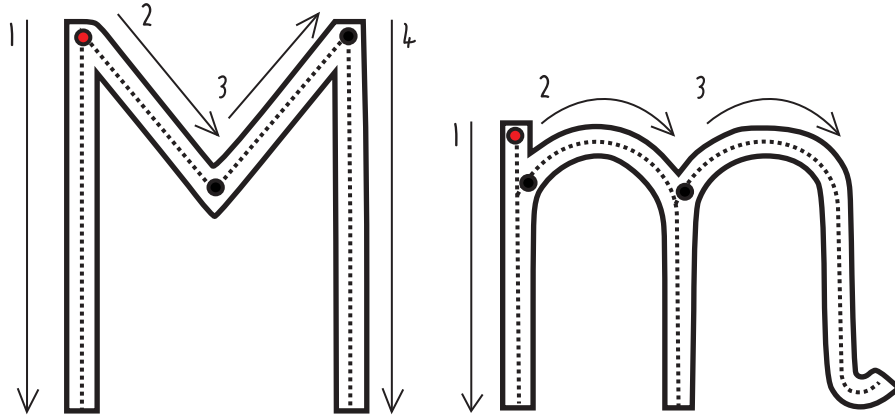


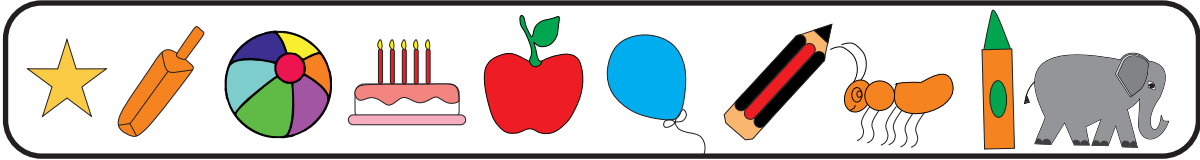
# Trace the letter given below

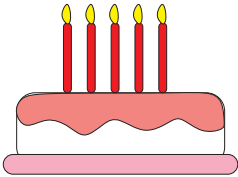


Use  yellow crayon to colour the objects that starts with letter sound /m/



# Circle the correct ordinal number



	2nd	3rd	4th
	2nd	3rd	4th
	5th	6th	7th
	6th	7th	8th
	8th	9th	10th

## Objectives

- Counting skills
- Concept of ordinal numbers

Trying

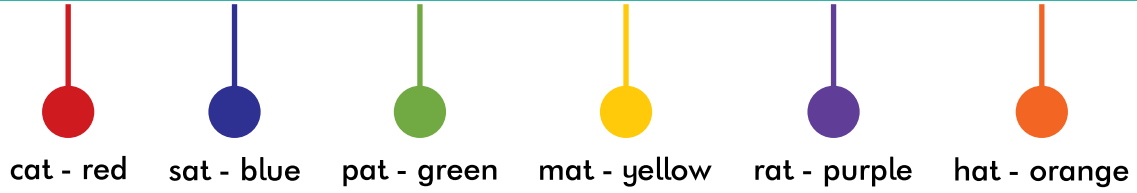


Assisted



Independent





cat	pat	sat
rat	mat	hat
pat	sat	cat
rat	hat	mat

Objectives

• Blending letter sounds

Trying

Assisted

Independent

